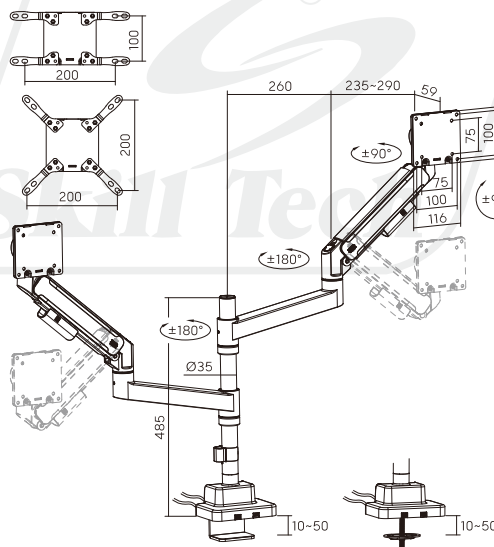
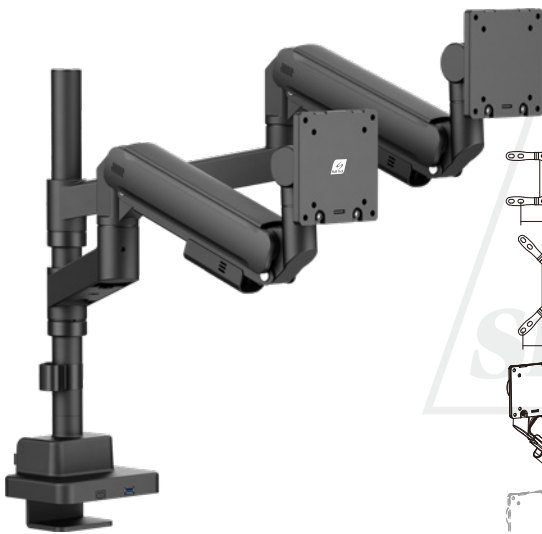


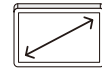
SH87-C024UCP

Heavy-Duty Counterbalance Monitor Arm

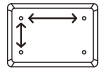
Fits most 24"-57" flat & curved Monitors



Dimensions (mm)



Screen Size
24"-57"



VESA Compatible
**75x75 100x100 100x200
200x100 200x200**



Weight Capacity
Flat Screen
2-27kg/4.4-59.4lbs



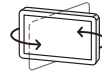
Weight Capacity
Curved Screen
2-22kg/4.4-48.4lbs



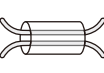
Screen Rotation
+90°--90°



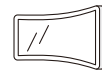
Tilt Range
+60° -- -20°



Swivel Range
+90° - -90°



Cable
Management



Curved Monitor

Robust Large Dual-Screen Design with USB Access



Built-In Cable Management
for a clean look



Optional USB Access
snap-off plates on the base for data
transfer or charging